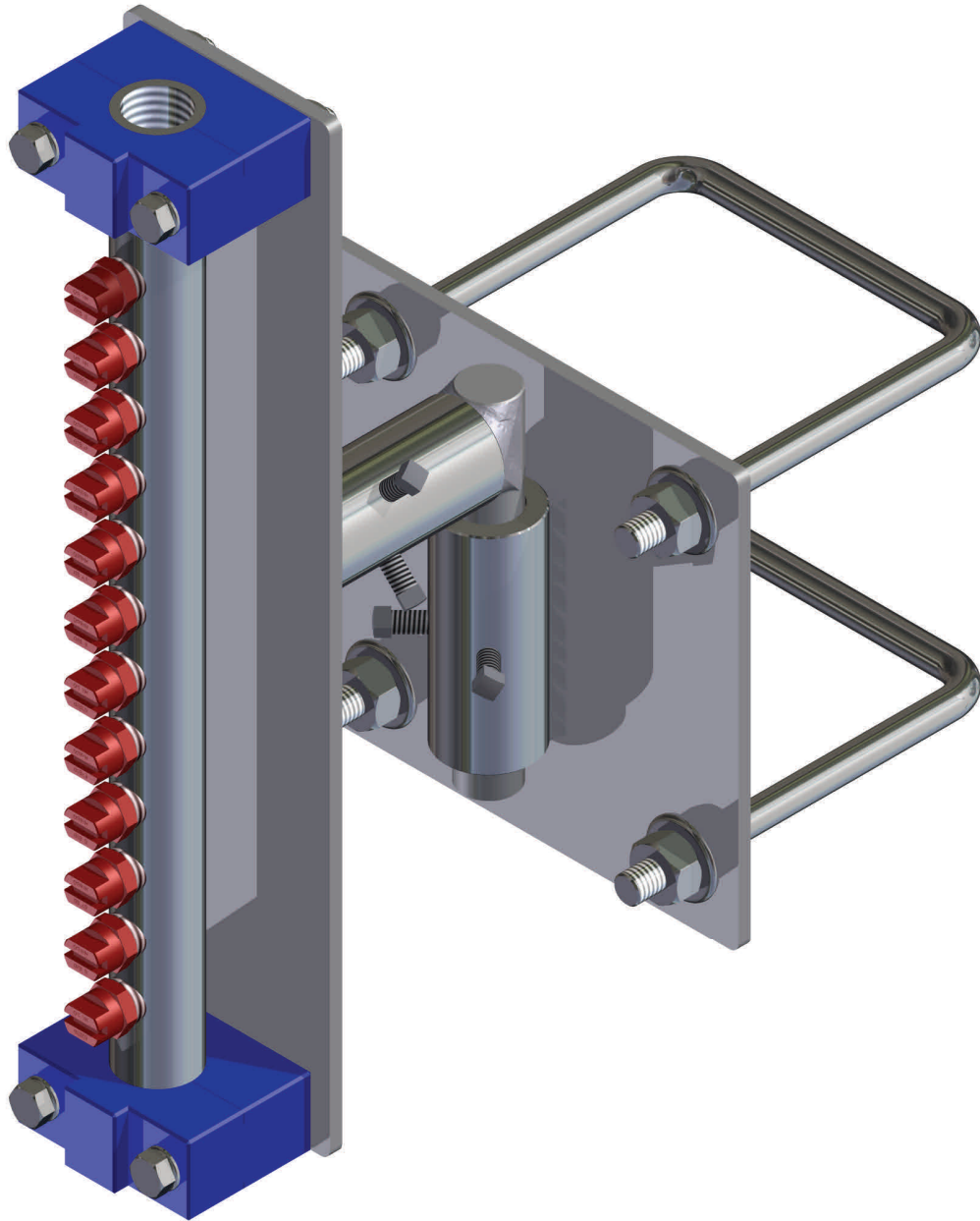
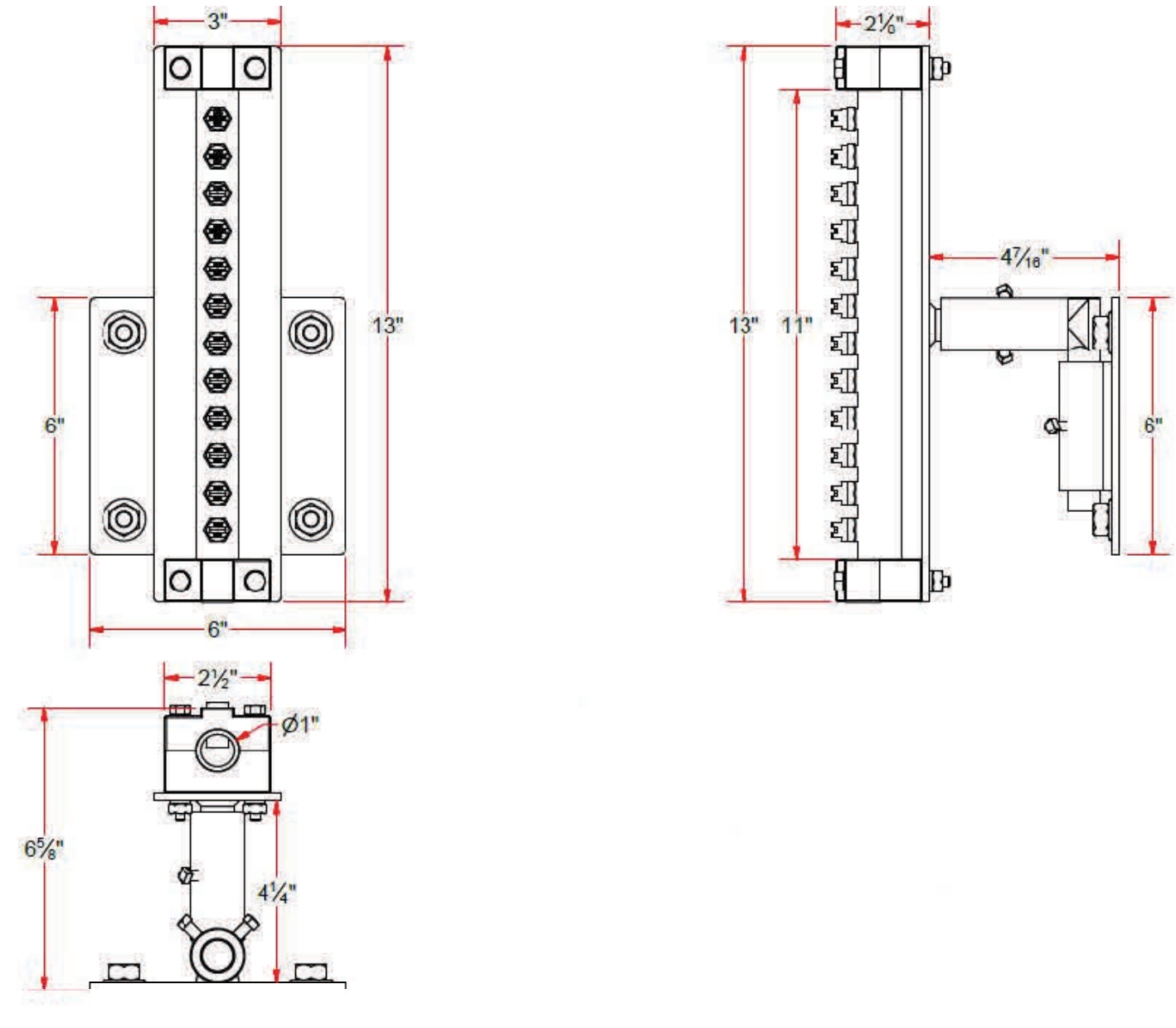


ADJUSTABLE ANGLE MIRROR RINSE, Model AA5B-C



ADJUSTABLE ANGLE MIRROR RINSE, Model AA5B-C

SPACE REQUIREMENTS



ADJUSTABLE ANGLE MIRROR RINSE, Model AA5B-C



2.MOUNTING PLATE



1. MANIFOLD HOLDING PLATE

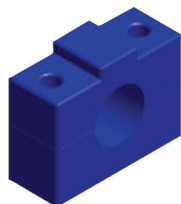


7.SQUARE U-BOLTS



3.RINSE MANIFOLD

4.UHMW BLOCK



5.ADJUSTABLE BRACKET

Water: 1/2" NPT Inlet
1/4" NPT Outlet

6.NOZZLE



ITEM	DESCRIPTION	PART No.	Qty.
-	ADJUSTABLE ANGLE MIRROR RINSE	AA5B-C	2 (1 set)
1	MANIFOLD HOLDING PLATE	AA5BBB	2
2	MOUNTING PLATE	AA5BAA	2
3	RINSE MANIFOLD	AA5BBD	2
4	UHMW BLOCK	PO1C2	4
5	ADJUSTABLE BRACKET	AA5BBA	2
6	PVDF NOZZLE 1/4" NPT	NZ14-05E80	24
7	SQUARE U-BOLTS 3/8" - Hex Nuts 3/8" - Flat Washers 3/8"	UB-SQ050x1500 HN3816 FW38	4 8 8

